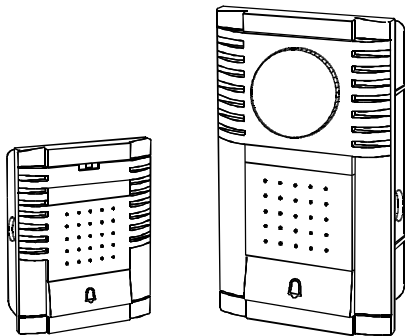


Instruction and Operation Manual

A-IT8195
A-DC3B
A-DC4C

**INTERCOM &
VIDEO DOOR PHONE**



A **tyco** INTERNATIONAL LTD. COMPANY

Please read this manual thoroughly before use, and keep it handy for future reference.

FCC COMPLIANCE STATEMENT

INFORMATION TO THE USER : THIS EQUIPMENT HAS BEEN TESTED AND FOUND TO COMPLY WITH THE LIMITS FOR A CLASS B DIGITAL DEVICE, PURSUANT TO PART 15 OF THE FCC RULES. THESE LIMITS ARE DESIGNED TO PROVIDE REASONABLE PROTECTION AGAINST HARMFUL INTERFERENCE IN A RESIDENTIAL INSTALLATION. THIS EQUIPMENT GENERATES, USES AND CAN RADIATE RADIO FREQUENCY ENERGY AND, IF NOT INSTALLED AND USED IN ACCORDANCE WITH THE INSTRUCTIONS, MAY CAUSE HARMFUL INTERFERENCE TO RADIO COMMUNICATIONS. HOWEVER, THERE IS NO GUARANTEE THAT INTERFERENCE WILL NOT OCCUR IN A PARTICULAR INSTALLATION. IF THIS EQUIPMENT DOES CAUSE HARMFUL INTERFERENCE TO RADIO OR TELEVISION RECEPTION, WHICH CAN BE DETERMINED BY TURNING THE EQUIPMENT OFF AND ON, THE USER IS ENCOURAGED TO TRY TO CORRECT THE INTERFERENCE BY ONE OR MORE OF THE FOLLOWING MEASURES :

- REORIENT OR RELOCATE THE RECEIVING ANTENNA
- INCREASE THE SEPARATION BETWEEN THE EQUIPMENT AND RECEIVER
- CONNECT THE EQUIPMENT INTO AN OUTLET ON A CIRCUIT DIFFERENT FROM THAT TO WHICH THE RECEIVER IS CONNECTED
- CONSULT THE DEALER OR AN EXPERIENCED RADIO/TV TECHNICIAN FOR HELP

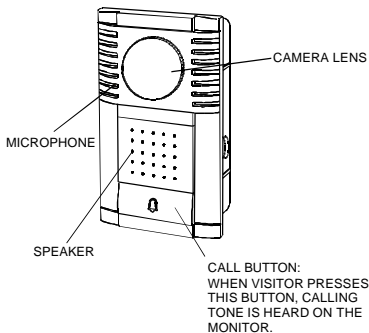
CAUTION : CHANGES OR MODIFICATIONS NOT EXPRESSLY APPROVED BY THE MANUFACTURER COULD VOID THE USER'S AUTHORITY TO OPERATE THE EQUIPMENT.

THIS CLASS B DIGITAL APPARATUS MEETS ALL REQUIREMENTS OF THE CANADIAN INTERFERENCE-CAUSING EQUIPMENT REGULATIONS.

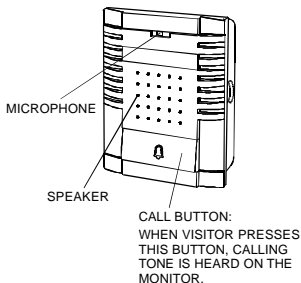
CET APPAREIL NUMÉRIQUE DE LA CLASSE B RESPECTE TOUTES LES EXIGENCES DU RÈGLEMENT SUR LE MATÉRIEL BROUILLER DU CANADA.

PARTS DESCRIPTIONS

VIDEO DOOR PHONE



INTERCOM



OPERATION

OPERATING THE DOOR CAMERA

When a visitor presses the call button on the outdoor of video door phone camera, calling tone sounds through the speaker on the monitor and the picture appears on the screen.

ANSWERING THE CALL

When you hear a calling tone and see the picture on the screen, you can talk to the visitor by pressing the talk button of the monitor.

NOTE: *This system is designed to support only one monitor and one camera.*

INSTALLATION



NuTone recommends that the video phone camera answering system be installed by a professional installer. The installation must be in accordance with all local and national electrical and mechanical codes.



Power to the system should be applied only after all wiring and installation steps have been completed.

Caution:

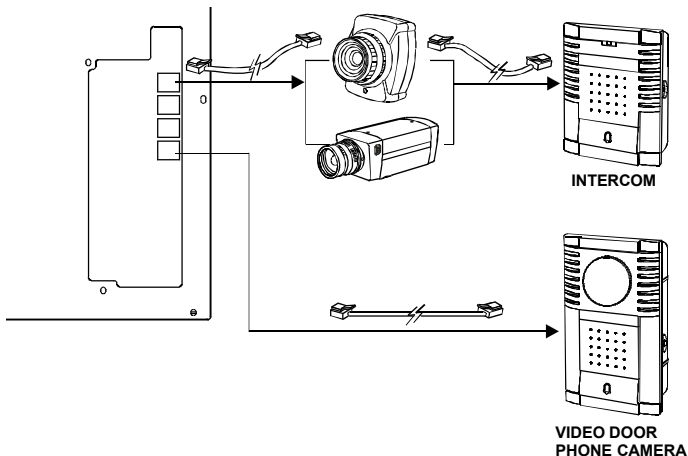
Take care when routing the cable from the camera to the monitor.

Try not to put unnecessary strain on the cable or connectors.

The cable may be damaged if it is pulled hard. Do not place the cable next to fluorescent lights, as interference may result. Do not use staples to support the cable, as you may damage the cable.

Do not substitute a telephone cable. Using a telephone cable could damage the camera and/or the monitor.

REFER TO FIG 1 AND FIG 2.



CAMERA MOUNTING BRACKET INSTALLATION:

1. Determine door camera location. The camera should be mounted approximately 60" above the floor. The camera mounting bracket may be installed into a junction box for new construction or surface mounted for existing construction.



Avoid mounting the camera in an area which would be subjected to direct rainfall, direct sunlight or in an extremely dusty area.

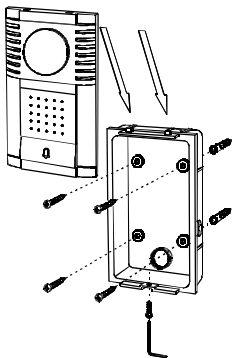
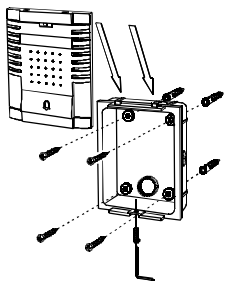
2. Install camera mounting bracket using the screws supplied.

CAMERA INSTALLATION::

1. Connect the wire from the monitor to the modular cable on the video door phone. Polarity is not important.
2. Install the camera on to the mounting bracket, being careful not to pinch any wires. Install the mounting screw into the bottom on the camera.
3. Install security cover camera mounting screw.

VIDEO DOOR PHONE CAMERA VIEWING ANGLE:

The door camera horizontal viewing angle is about 91 degrees and is about 68 degrees in the vertical direction, up to a distance of about 20 inches.



SPECIFICATIONS — INTERCOM

POWER SOURCE	15 VDC
POWER CONSUMPTION	0.6 Watts MAX.
CONNECTOR	Modular Jack (6p)
OPERATING TEMPERATURE	-10°C ~ 50°C
DIMENSION (W x H x D)	94mm x 123mm x 39mm
WEIGHT	280g

SPECIFICATIONS — VIDEO DOOR PHONE B/W CAMERA

POWER SOURCE	15 VDC 60Hz
POWER CONSUMPTION	2.6 Watts MAX.
IMAGE SENSOR	1/3" interline transfer CCD (SHARP)
PICTURE ELEMENT	-10°C ~ 50°C
CHIP SIZE (H x V)	4.8mm x 3.6mm
UNIT CELL SIZE (H x V)	9.6µm x 7.2µm
SCANNING SYSTEM	2 : 1 interlace
SCANNING FREQUENCY	15.75KHz (H), 60Hz (V)
OPERATING TEMPERATURE	-10°C ~ 50°C
SYNC. SYSTEM	Internal
V PHASE ADJUST RANGE	
ELECTRONIC SHUTTER	1/60 ~ 1/100,000 sec.
SIGNAL FORMAT	525 Lines
RESOLUTION	380 TV lines more
MIN. ILLUMINATION	0.02 lux (F 1.4)
VIDEO OUTPUT	1.0 Vp-p (75 ohm)
VIDEO IRIS OUTPUT	700 mV at video out 1.0 Vp-p
S/N RATIO	46 dB (AGC OFF)
BLC	60% center (BLC ON)
SYNC. LEVEL	40 IRE
E/I	ON
DIMENSION (W x H x D)	97mm x 163mm x 60mm
WEIGHT	360g

SPECIFICATIONS — VIDEO DOOR PHONE COLOR CAMERA

POWER SOURCE	15 VDC 60Hz
POWER CONSUMPTION	3.1 Watts MAX.
IMAGE SENSOR	1/4" CCD
PICTURE ELEMENT (H x V)	512 x 582
PIXEL PITCH (H x V)	7.2 μ m x 5.6 μ m
SCANNING SYSTEM	2 : 1 interlace
RESOLUTION	330 TV lines
MIN. ILLUMINATION	2.0 Lux 50 IRE (F 2.0)
S/N RATIO	46 dB (AGC OFF)
HORIZONTAL FREQUENCY	15.734 KHz
VERTICAL FREQUENCY	60Hz
VIDEO OUTPUT	1 Vp-p (75 ohm)
SYNCHRONIZING	Internal
ELECTRONIC SHUTTER	1/100,000 sec.
DIMENSION (W x H x D)	97mm x 163mm x 60mm
WEIGHT	360g



ADT Security Services, Inc.
One Town Center Road
Boca Raton, FL 33486 USA
561-988-3600