

## B&W and Color Standard Resolution Observation Cameras

**A-C4CPS**



**A-DC4C**



**A-DS1B**



**A-CC42PIR**



### Product Summary

The standard-resolution observation cameras are 1/3" B&W and 1/4" Color CCD cameras offered in a variety of housings to meet most CCTV application requirements. The cameras connect to the ViewPro observation systems using a quick-connect RJ-11 cable. Each camera includes a 60-foot camera to monitor video/audio cable and a suitable camera mount.

The **A-C4CPS** Compact Color camera is offered in a low-cost, high-impact plastic housing suitable for indoor applications and contains a built-in microphone and speaker for two-way audio talkback and monitoring. The camera features a CS mount lens attachment and includes both a 4mm and 8mm lens.

The **A-DS1B** B/W camera is housed inside a 5" diameter motorized dome housing. The motorized dome is a perfect solution to applications where the number of cameras is limited, however multiple directional views are desired. The dome connects to the ViewPro 4-channel observation system using a supplied wired remote control. The domes interface directly to the ViewPro Mux (multiplexing monitor) without the need for a wired remote and the view of the dome camera may be controlled using the multiplexer mouse, wireless remote or monitor front panel controls.

The **A-DC4C** Color Video Door Phone works with color and B/W observation systems. The A-DC4C integrates a standard resolution color camera with a two-way audio intercom system to provide talkback capability from the camera location to the observation monitor or DVR. The unit contains a condenser microphone and a weather-resistant speaker with a "Push to Talk", call button and is designed for in-wall or on-wall mounting configurations.

The **A-CC42PIR** Color camera is housed in a non-working PIR housing and is suitable for indoor covert camera applications. A red LED is illuminated in normal operation, offering the appearance of a working security system PIR detector. Audio capability is not permitted with the covert cameras.

### General Specifications

#### Image Sensor

B&W: 1/3" Interline Transfer CCD

Color: 1/4" Interline Transfer CCD

#### Active Pixels

512 x 492

#### Resolution

B&W: > 380 Lines

Color: > 330 Lines

#### Electronic Iris

1/60 ~ 1/100,000 Sec.

#### Video Output

1.0Vp-p (75-ohms), 6-pin modular

#### Audio Output

600-ohms line level, 6-pin modular  
(Not available on covert cameras)

#### Camera connectors

Video/Audio 6-pin modular  
Accessory (Interphone) 6-pin modular

### Ordering Guide:

SCN#	Item
<b>A-C4CPS</b>	Color Compact Plastic Camera with Speaker
<b>A-DC4C</b>	Color Video Door Phone Camera
<b>A-DS1B</b>	B&W motorized Pan/Tilt Dome Camera
<b>A-CC42PIR</b>	Color non-working PIR Covert Camera



### Color Compact Plastic Camera

Lens	4 & 8mm, F2.0 CS-mount
Min Illum.	1.0 lux, 50 IRE, F1.2
Speaker	Internal
Microphone	Internal
Weight	2.47 oz (70g)
Dimensions	2.17" x 2.8" x 1.7"
Power	2.5 Watts

### Color Video Door Phone Camera

Lens	4mm, F2.0
Min Illum.	2.0 lux, 50 IRE, F2.0
Weight	12.7 oz (360g)
Dimensions	3.82" x 6.14" x 2.36"
Power	3.1 Watts

### B&W Pan and Tilt Dome Camera

Lens	B/W: 3.6mm, F3.8 Color: 3.6mm, F2.0
Min Illum.	B/W: 0.02 lux, 50 IRE, F1.4 Color: 2.0 lux, 50 IRE, F1.2
Pan/Tilt Angle & Speed	340°/80°, 25° +/- 10% sec

### Color non-working PIR Covert Camera

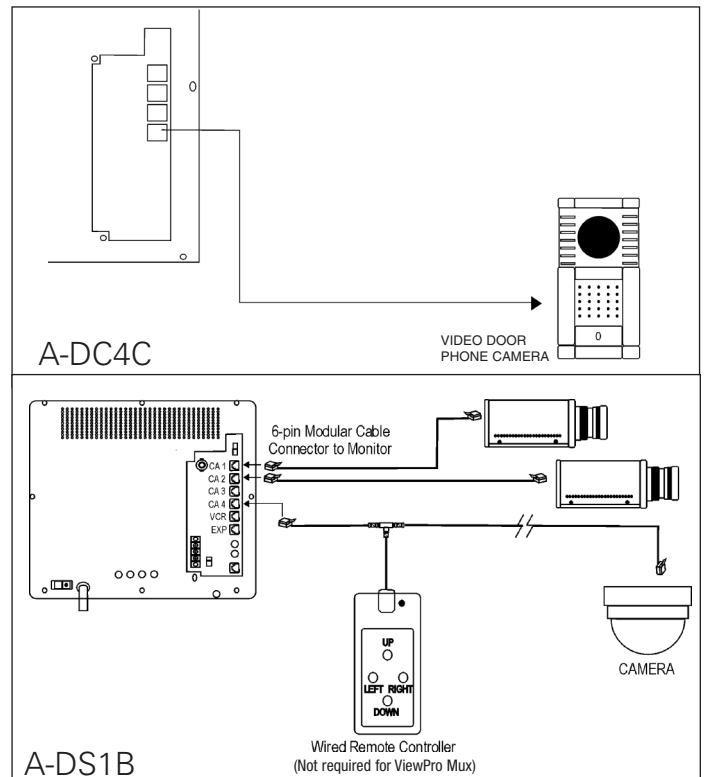
Lens	B/W: 5.5mm Color: 4.3mm
Min Illum.	B/W: 1.0 lux, 50 IRE, F1.2 Color: 2.0 lux, 50 IRE, F2.0
Weight	2.47 oz (70g)
Dimensions	4.0" x 2.0" x 2.75"



### Optional Accessories

<b>A-A18C</b>	60' Camera cable
<b>A-A30C</b>	100' Camera cable
<b>A-A60C</b>	200' Camera cable
<b>A-A90C</b>	300' Camera cable
<b>A-LTV2Z3314CS</b>	3.3-8mm vari-focal lens, manual iris
<b>A-LTV12Z0516CS</b>	5-60mm vari-focal lens, manual iris
<b>CONKIT Cable</b>	Conversion Kit, RJ11 to BNC/DC plug
<b>A-MA800</b>	Modular cable adapter
<b>A-LA800</b>	Line Amplifier, for camera runs over 300'
<b>A-CH412</b>	Protective, Tamperproof Housing

Note: CS lens used on compact camera only.



ADT Always There®