

High Resolution B&W and Color Metal Cameras and Outdoor Environmental Housing Kits



A-CC3MH / A-CB3MH



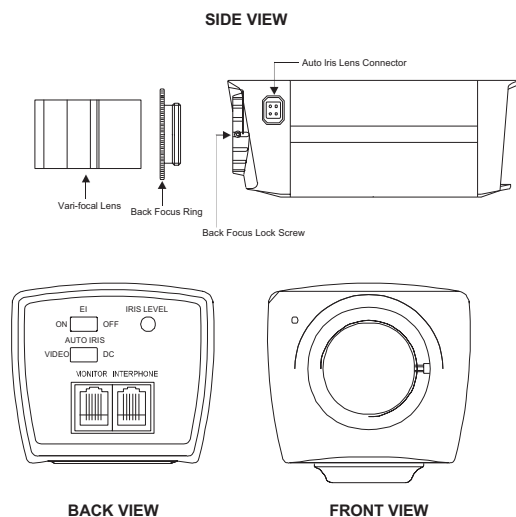
A-CK550HB / A-BK550HB

Product Summary

The A-CB3MH and A-CC3MH camera series are 1/3" CCD cameras offered in a robust metal housing suitable for indoor applications. The cameras feature 3.3 – 8mm, manual iris lens for most indoor applications with balanced lighting. An auto-iris lens upgrade option is available for extreme lighting conditions. The cameras connect to the observation systems using a quick-connect cable with 6-pin RJ-11-E connectors. The cameras feature an integrated condenser microphone for audio monitoring. Additional accessories may be connected to the cameras using the second RJ-11-E accessory (Interphone) port located on the rear of the camera housing. A 60-foot camera to monitor Video/Audio cable and a 1/4" X 20 camera mount is included with each unit.

The A-BK550HB and A-CK550HB series weatherproof environmental housing kits provide protection from all weather conditions. The units measure 12.5 inches in length and feature the high-resolution A-CC3MH or A-CB3MH camera with a 5-60mm vari-focal dc auto iris lens. A 24V ac heater and blower are provided for protection from extreme weather conditions. Both kits include the A-CS161 light duty wall mount bracket, 100' of camera cable, 100' of 18 AWG power cable and a 120V/24V ac power adapter for the heater/blower assembly.

Optional mounts are available, including the A-CS166 (replaces the A-CS161) for ceiling applications and the A-CM150 and A-CM151 respectively for camera and pole applications (use with A-CS161).



Camera Features:

- 1/3" High-resolution Image Sensor produces high quality video images.
- 3.3-8mm varifocal manual iris lens for a wide range of installation applications.
- Standard CS-mount lens attachment.
- 1/60 ~ 1/100,000 sec. internal electronic iris function or optional auto-iris lens.
- Video or DC type auto-iris CS-mount lens compatible.
- Integrated condenser microphone allows audio monitoring.
- Accessory input allows connection of two-way intercoms, PIR motion sensors and alarm contacts.
- Camera mounts for most wall and ceiling installations is included.
- 60-ft of Video/Audio cable with modular 6-pin connector is included.

Outdoor Housing Kit Features:

- Weatherproof environmental housing with integrated heater/blower protects camera from all outdoor elements.
- High-resolution metal camera (A-CB3MH or A-CC3MH) with 5-60mm vari-focal dc auto-iris lens available in B&W or Color options.
- Clear front window does not affect light-level performance of camera.
- Wall mount (A-CS161) is included.
- Includes 100' camera cable and 18 AWG power cable.
- Optional ceiling, corner or pole mounting.

Ordering Guide:

SCN#	Item
A-CB3MH	1/3" CCD High-Res B&W Metal Camera with 3.3-8mm vari-focal, manual iris lens
A-CC3MH	1/3" CCD High-Res Color Metal Camera with 3.3-8mm vari-focal, manual iris lens
A-BK550HB	Outdoor housing w/ heater & blower and B&W High-Res camera with 5-60mm vari-focal, auto iris lens
A-CK550HB	Outdoor housing w/ heater & blower and Color High-Res camera with 5-60mm vari-focal, auto iris lens

Camera Specifications

Image Sensor

B&W: 1/3" IT CCD 768(H) x 494(V) Pixels
 Color: 1/3" IT CCD DSP 768(H) x 494(V) Pixels

Resolution

B&W: > 570 Lines
 Color: > 470 Lines

Minimum Illumination

B&W: 0.08 lux 50 IRE (F1.2)
 Color: 1.50 lux 50 IRE (F1.2)

Switch Selections

Electronic Iris (EI): On/Off
 Auto Iris: Video / DC

Video Output

1.0Vp-p, 75-ohms

Audio Output

600-ohms line level

Lens (CS mount)

3.3-8mm vari-focal F1.4 manual iris

Camera mount

1/4" X 20 UNC (case top/bottom)

Camera connectors

Video/Audio 6-pin modular
 Accessory (Interphone) 6-pin modular
 Auto Iris 4-pin mini-din

Dimensions (W x H x D)

2.48" x 2.2" x 5.63"

Operating Temperature

-10°C ~ +50°C (+14°F ~ +122°F)

Weight

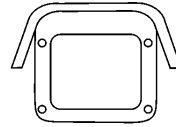
Black & White: 8.64 oz (245 g)
 Color: 8.99 oz (255 g)

Power Consumption

Black & White: 15 VDC, 3.5 Watts Max
 Color: 15 VDC, 4.0 Watts Max

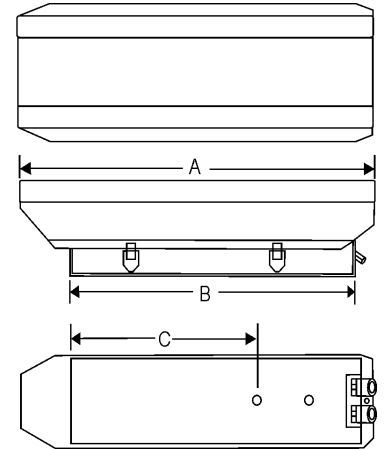
Optional Accessories

A-A18C	60-ft camera cable with RJ-11 connectors
A-A30C	100-ft camera cable with RJ-11 connectors
A-A60C	200-ft camera cable with RJ-11 connectors
A-A90C	300-ft camera cable with RJ-11 connectors
A-LA800	Line Amplifier
A-MA800	Modular cable adapter
A-LTV12Z0516CS	5-60mm vari-focal, manual iris lens
A-LTV12Z0516GCS	5-60mm vari-focal, dc auto iris lens
A-LTV2Z3314CS	3.3-8mm vari-focal, manual iris lens
A-LTV2Z3314GCS	3.3-8mm vari-focal, dc auto iris lens
A-CS166	Medium-duty ceiling mount 21" length
A-CM150	Corner mount for CS161 bracket
A-CM151	Pole mount for CS161 bracket



MODEL	A	B	C
A-CH808S	12"	9.44"	4.37"
A-CH808M	15.15"	12.50"	7.51"
A-CH808L	18.30"	15.74"	10.66"

A 14.15" **B** 12.50" **C** 7.51"



Outdoor Housing Kit Specifications

Camera

Same as above except lens

Lens

5-60mm vari-focal auto-iris

Dimensions

4.78" x 3.68" x 12.50"

Operating Temperature

-45°C ~ +50°C (-49°F ~ +122°F)

Temperature Activation

Heater On: 42-58°F
 Heater Off: 72-88°F
 Blower On: 77-93°F
 Blower Off: 62-78°F

Power Consumption

Heater: 0-30 watts
 Blower: 0-8 watts

Cables Supplied

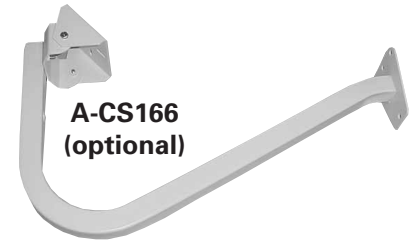
Camera: 100', A-A30C
 Power Supply: 100', 18 AWG, 2-cond.

Power Supply

24 VAC 40 VA (RT2440SL)



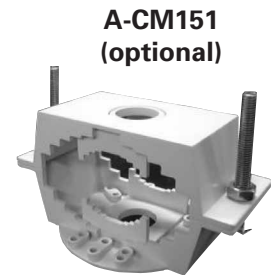
A-CS161



A-CS166 (optional)



A-CM150 (optional)



A-CM151 (optional)